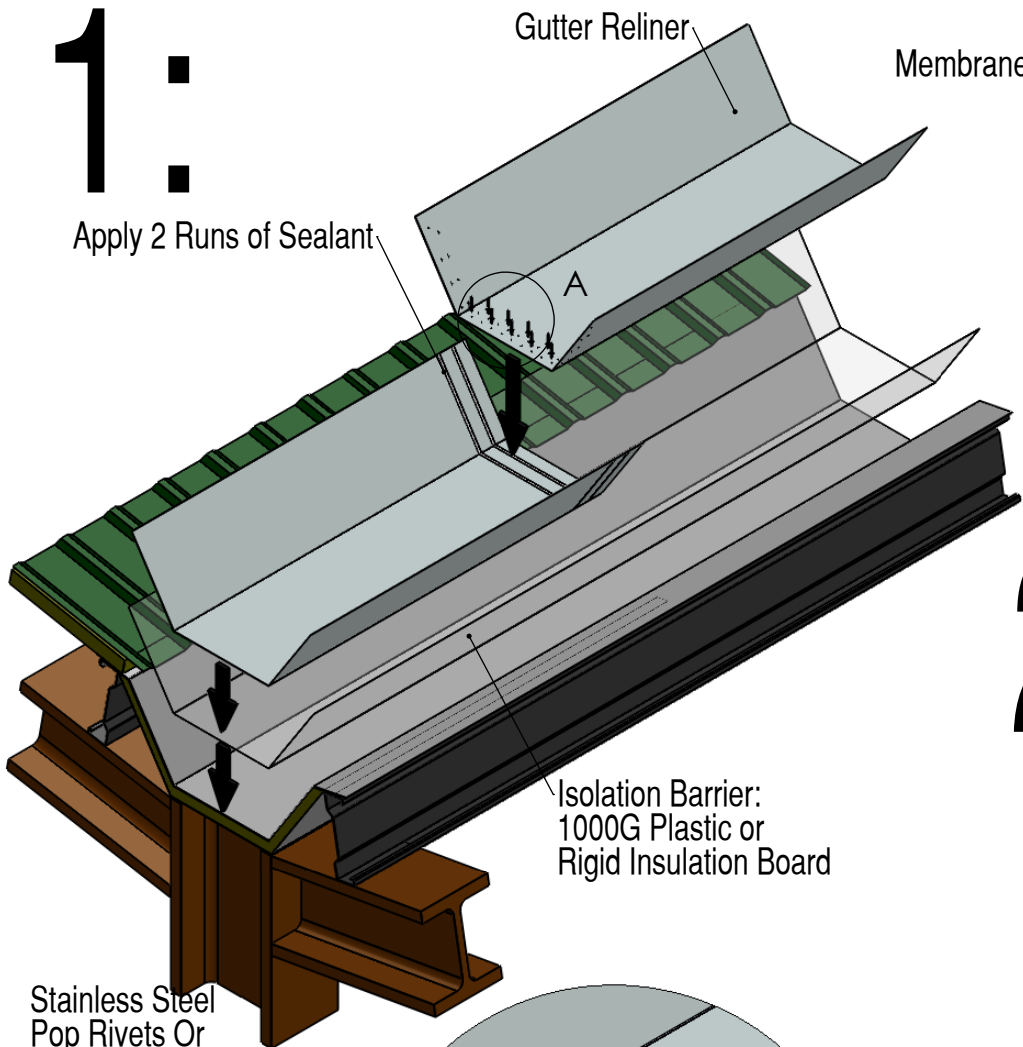


# 1:

Apply 2 Runs of Sealant

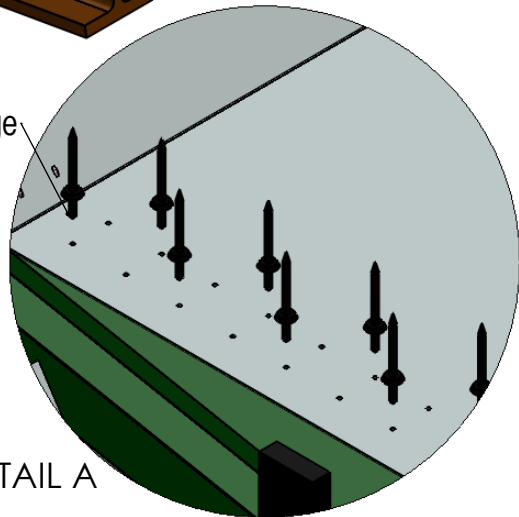
Gutter Reliner

Membrane Strip



Isolation Barrier:  
1000G Plastic or  
Rigid Insulation Board

Stainless Steel  
Pop Rivets Or  
Stainless Steel Screws  
25mm & 50mm From Edge

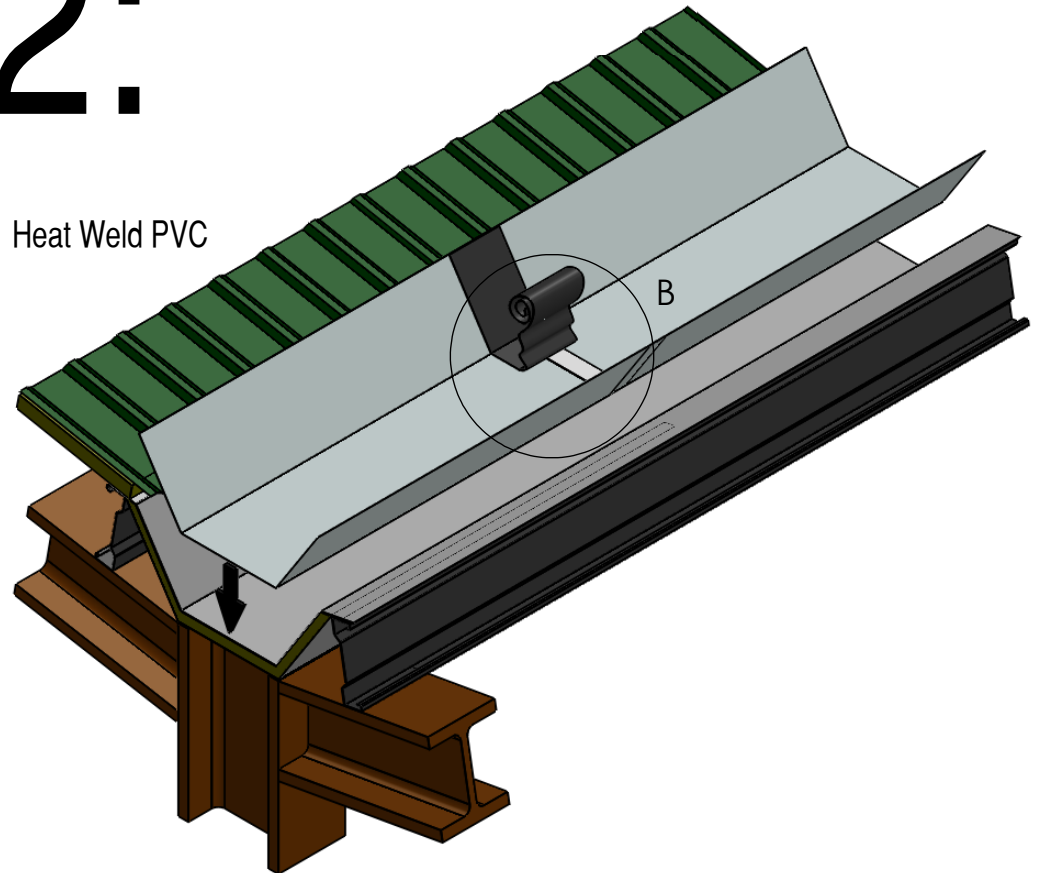


DETAIL A

# 2:

DETAIL B

Heat Weld PVC



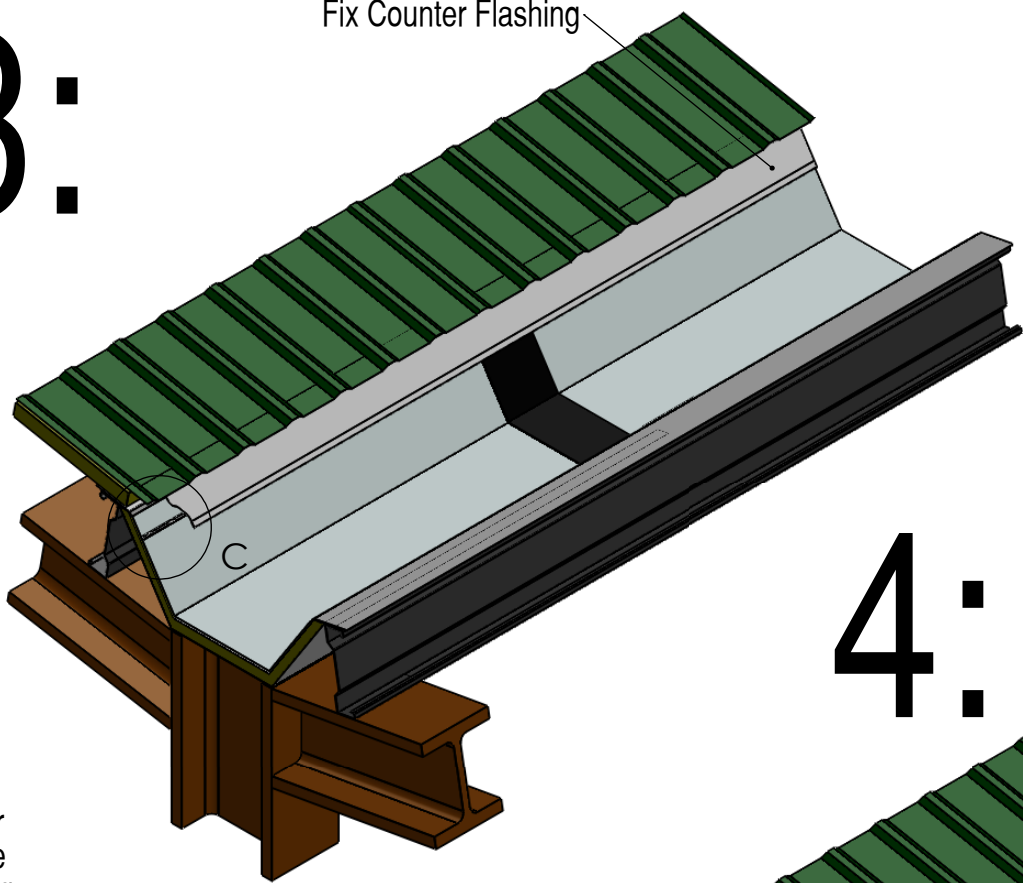
Apply 50mm Masking  
Tape To Avoid  
Full Weld Over Joint.  
Allow For Movement

**EliteForm**  
Manufacturing Ltd

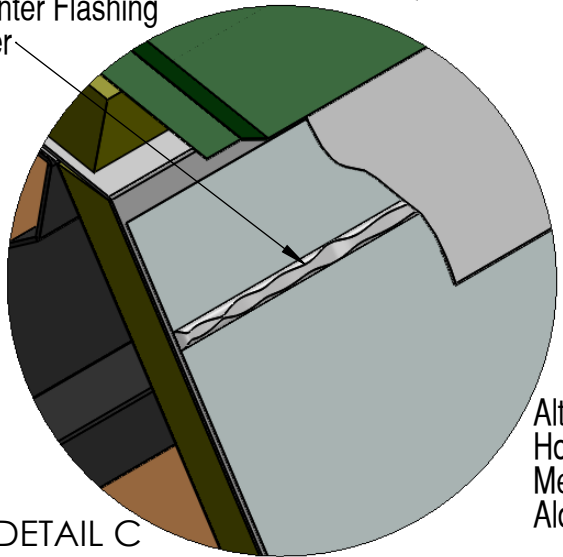
## Gutter Relining

3:

Fix Counter Flashing



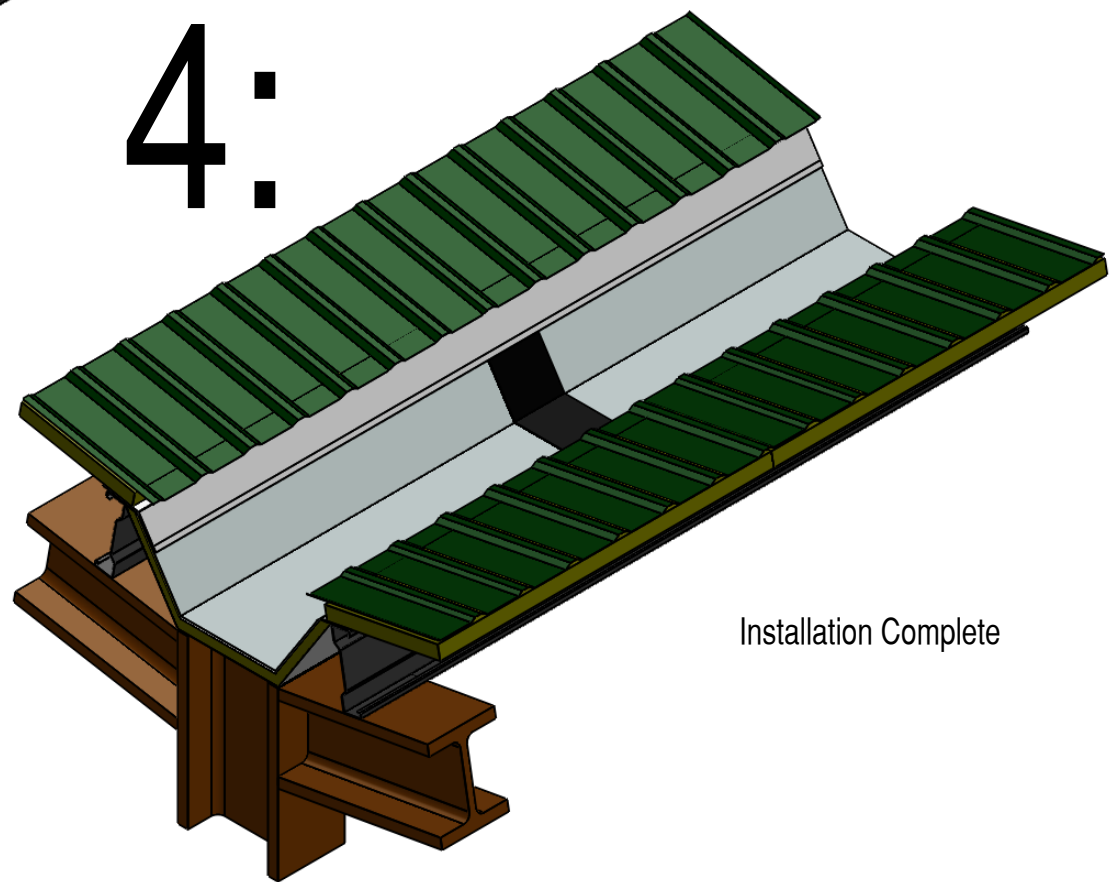
Apply  
Layer Of Mastic  
Seal Soudaseal 240FC or  
10mm Butyl Sealant Tape  
Between Counter Flashing  
And New Liner



DETAIL C

Alternatively;  
Hot Weld PVC  
Membrane Strap  
Along Entire Length

4:



Installation Complete